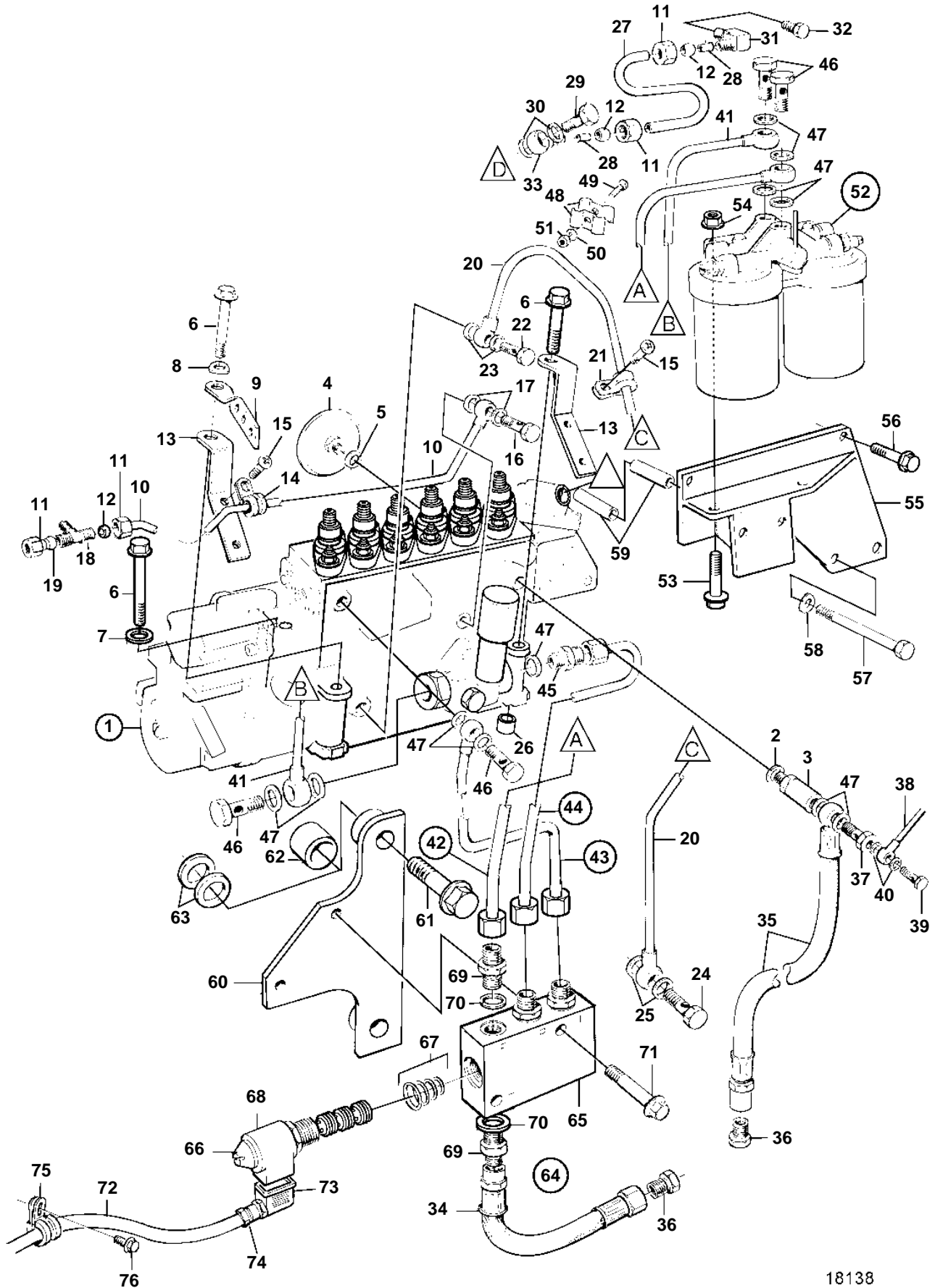


TAMD162C-C, TAMD163A-A



18138

TAMD162C-C, TAMD163A-A

REF	PART NO.	QTY	DESCRIPTION	SEE SEC.	NOTES
1	3825482	1	Injection pump		RQV GOVERNOR
	3803784	1	Injection pump, exch		Exchange unit
				4638	
	3825984	1	Injection pump, AUX		GAC GOVERNOR. Electronic speed control for auxiliary engines.
	3803785	1	Injection pump, exch		Exchange unit
				2694	
2	15304	1	· Gasket		
3	3825154	1	· Overflow valve		
4	477173	1	Pressure equalizer		
5	969011	1	Gasket		
6	965189	4	Flange screw		
7	190509	2	Washer		
8	941908	1	Spring washer		
9		1	Bracketmanual speed control		SEE GROUP 27
10	862997	1	Oil feed pipe		
11	954356	4	Cap nut		
12	954364	3	Fitting		
13	1543721	2	Bracket		
14	952623	1	Clamp		
15	956092	2	Screw		
16	48634	1	Hollow screw		
17	947281	2	Gasket		
18	191936	1	T-pipe, cylinder block		
19	943006	1	Plug		
20	3826169	1	Oil return pipe		(1543962)
21	952623	1	Clamp		
22	48634	1	Hollow screw		
23	947281	2	Gasket		
24	25167	1	Hollow screw, cylinder block		
25	969011	2	Gasket		
26	417588	1	Guide sleeve		
27	945460	X	Plastic pipe		L=450mm
28	944717	2	Sleeve		
29	969299	1	Hollow screw		
30	11994	2	Gasket		
31	954385	1	Elbow nipple		
32	981749	1	Plug, AUX		
33	945417	1	Nipple		
34	3830309	1	Fuel hose		
35	3830312	1	Fuel hose		
36	22753	2	Nipple		
37	16496	1	Hollow screw		
38		1	Leak-off line	2691	
39		1	Hollow screw	2691	
40		2	Gasket	2691	
41	849813	1	Fuel pipe		
42	3825205	1	Fuel pipe, incl nut and ferrule		
43	3825964	1	Fuel pipe, incl nut and ferrule		
44	3825206	1	Fuel pipe, incl nut and ferrule		
45	941754	1	Nipple		
46	25167	4	Hollow screw		
47	969011	11	Gasket		
48	404279	2	Clamp		
49	956095	1	Screw		
50	955892	1	Washer		
51	945407	1	Flange nut		
52	864399	1	Fuel cleaner		
				2093	
53	965192	2	Flange screw		
54	971096	2	Nut		
55	862189	1	Bracket		
56	946173	2	Flange screw		

TAMD162C-C, TAMD163A-A

REF	PART NO.	QTY	DESCRIPTION	SEE SEC.	NOTES
57	955313	1	Screw		
58	941907	1	Spring washer		
	955894	1	Washer		
59	822791	2	Spacer sleeve		
60	3825152	1	Bracket		
61	968302	2	Flange screw		
62	1593030	2	Spacer ring		When engine brackets are not installed.
63	955900	4	Washer		When auxiliary engine brackets are installed.
64	3828983	1	Shut-off valve		
65		1	· Valve		
66		1	· Nut		
67	3828981	1	· O-ring kit		
68	3825240	1	· Magnet		
69	941754	4	· Nipple		
70	969011	4	· Gasket		
71	947760	2	Flange screw		
72	862989	1	Cable		2x1,5 sq.mm, L=5000mm. Non reinforced ship cable approved by classification societies.
73	866664	1	Connector unit		
74	881191	1	Cable union		
75	942400	1	Clamp		
76	946440	1	Flange screw		